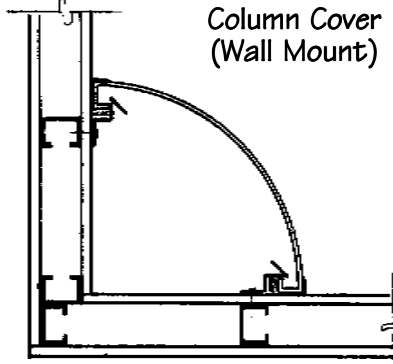


Series 8500

Plastic Laminate or Veneer  
clad Column Covers

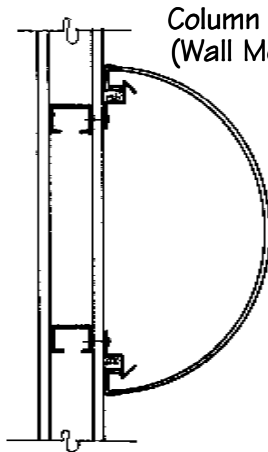
# Series 8500-Details

Quarter Round Column Cover (Wall Mount)



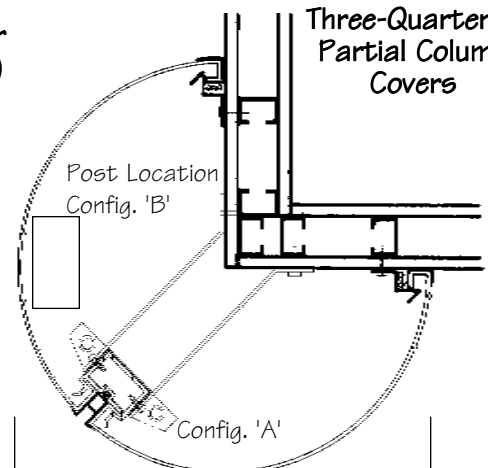
Minimum 7" R  
Maximum 36" R

Half Round Column Cover (Wall Mount)



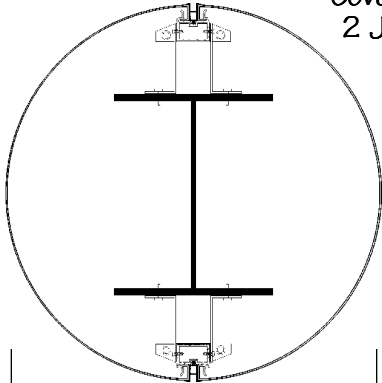
Maximum 18"  
(36" Dia)

Three-Quarter & Partial Column Covers



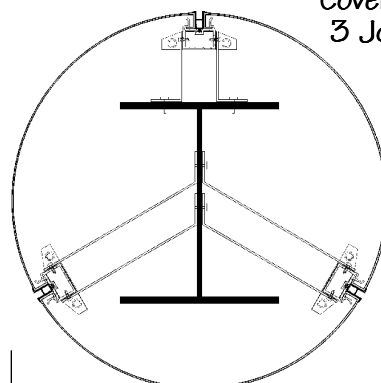
Maximum 48" Dia-'A'  
Maximum 36" Dia-'B'

Full Column Cover with 2 Joints



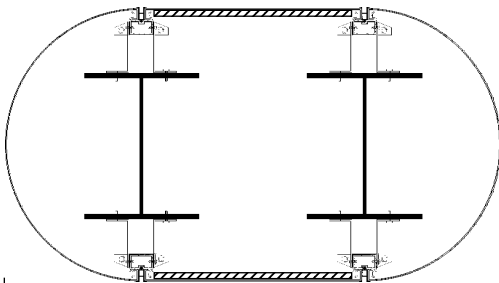
Available 14" to 36" Dia

Full Column Cover with 3 Joints



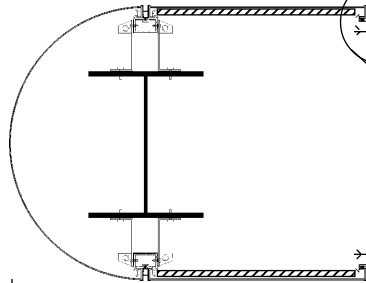
36" Dia. and Above  
(Max 55" Dia.)

Race-Track Oval Column Cover



Maximum 36" Dia x 90" Width  
(Available Wider with Addition of Flat Panels)

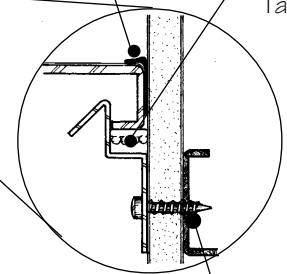
Extended Half Column Cover



Maximum 36" Dia x 72" Width  
(Available Wider with Addition of Flat Panels)

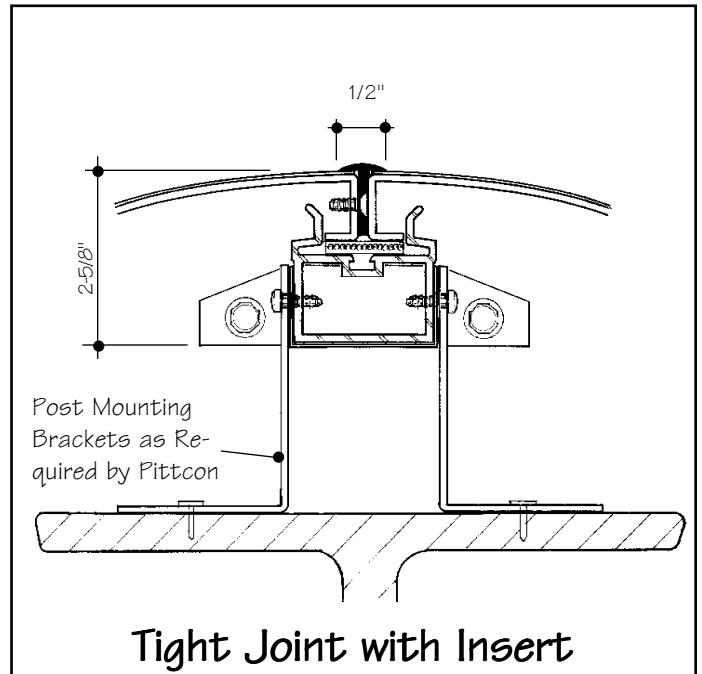
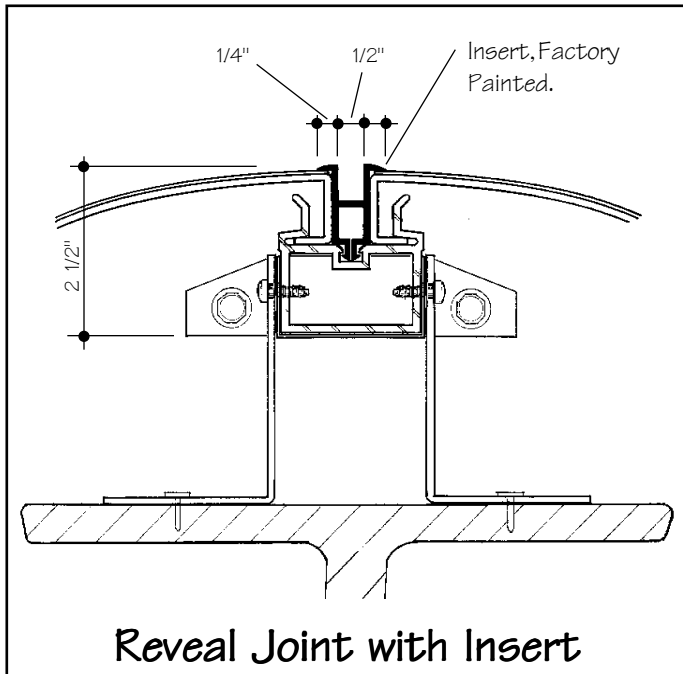
Aluminum Edge Protector

Interlocking Tape



Screws Through Bracket Must Engage Substructure Behind

# Series 8500-Details



## Column Covers Clad with Plastic Laminate or Veneer:

Aluminum in .090 Standard Thickness (2.3mm)

- Clad with matte or high gloss plastic laminate finishes

by the following manufacturers:

Wilsonart

Nevamar

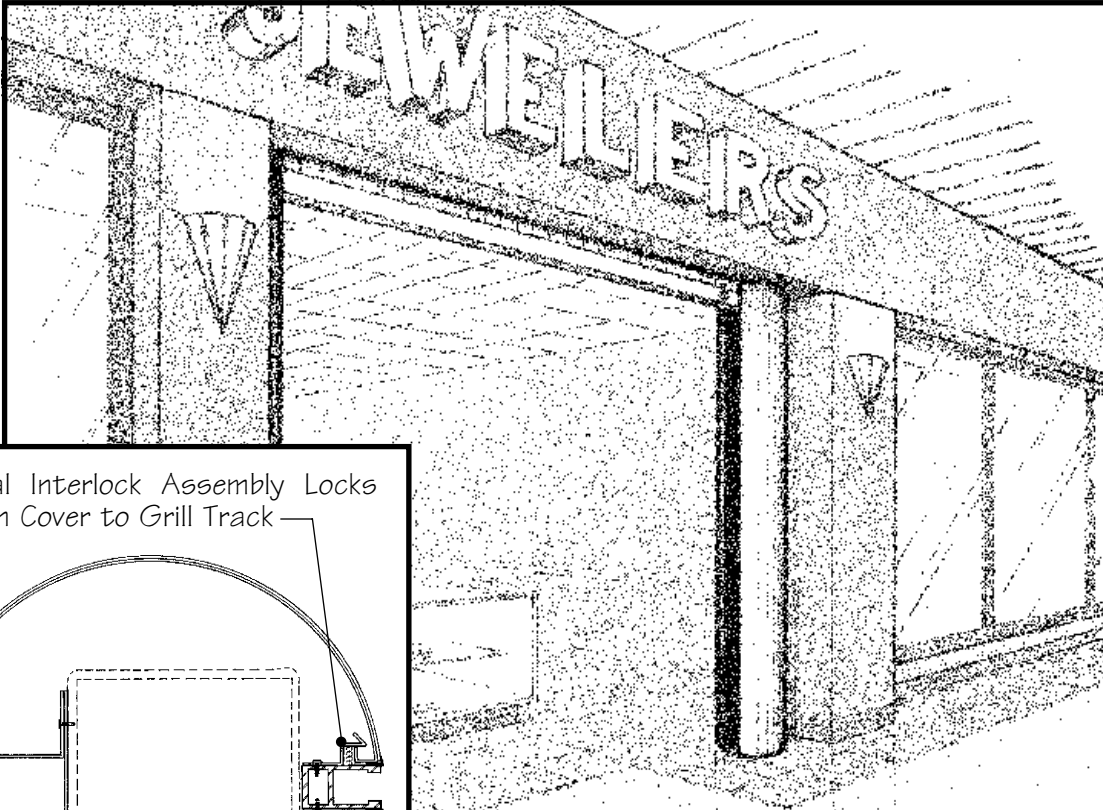
Formica

Pionite

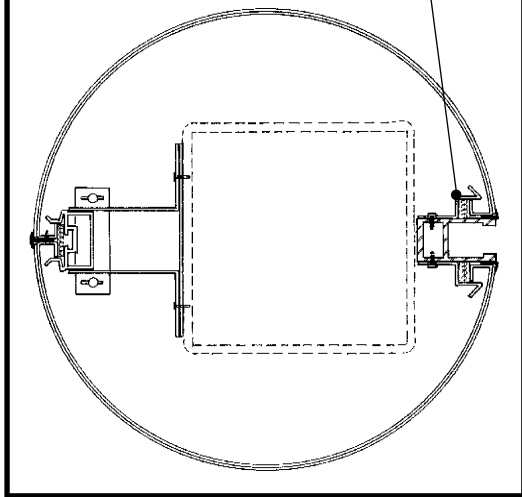
- Clad with wood veneers (unfinished)
- Clad with Belbien® vinyl laminate finishes

The SERIES 8500 column cover system offers a durable plastic laminate or wood veneer finish. The column covers come with a choice of two joint configurations. The SIDE-LOCK™ version provides a vertical reveal snap-in insert for those conditions where a vertical reveal is desired (above left). The exposed edges at the joint are protected by a high strength aluminum extrusion. The SNAP-FORM® version provides a tight joint with an overlapping aluminum T-Spline protector, (above right), applicable for other column cover conditions. The column cover halves are roll-formed and supplied in two identical halves, with a factory supplied aluminum post post system. They are easily demountable for access to enclosed elements. The SERIES 8500 is available with a wide variety of options, including recessed top, mid-level and base reveals, stacking columns covers, racetrack oval and other designs, all of which are described elsewhere in this brochure. Please contact the factory or your local Pittcon sales representative for further details.

# Series 8500-Options

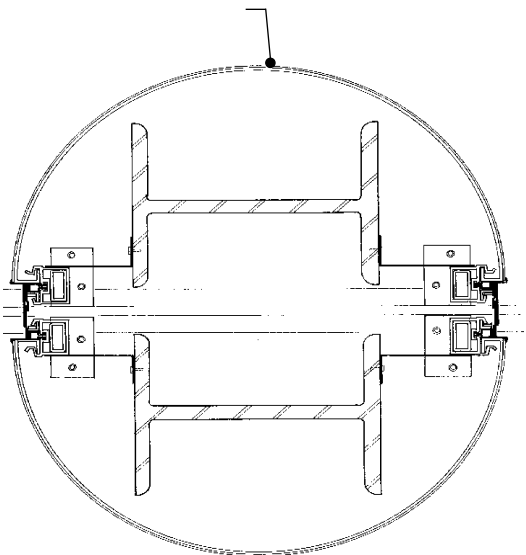


Special Interlock Assembly Locks Column Cover to Grill Track

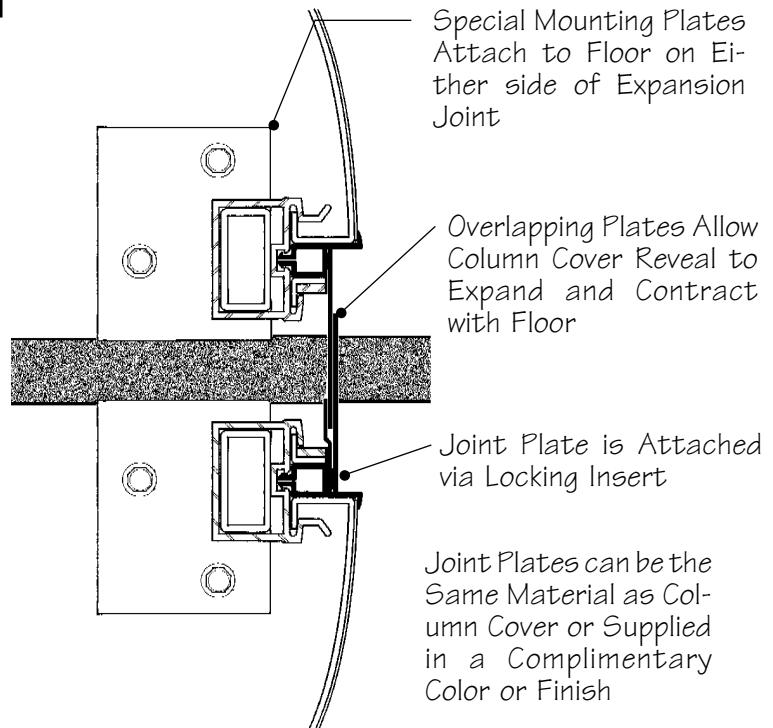


The SERIES 8500 Column Covers can be Provided with a Factory Installed Grill Track Opening Such as Shown Here (grill track by others) or with an Optional Expansion Joint as Detailed Below.

Pl. Lam. or Veneer on .090" Aluminum Substrate



Available 14" to 36" Dia



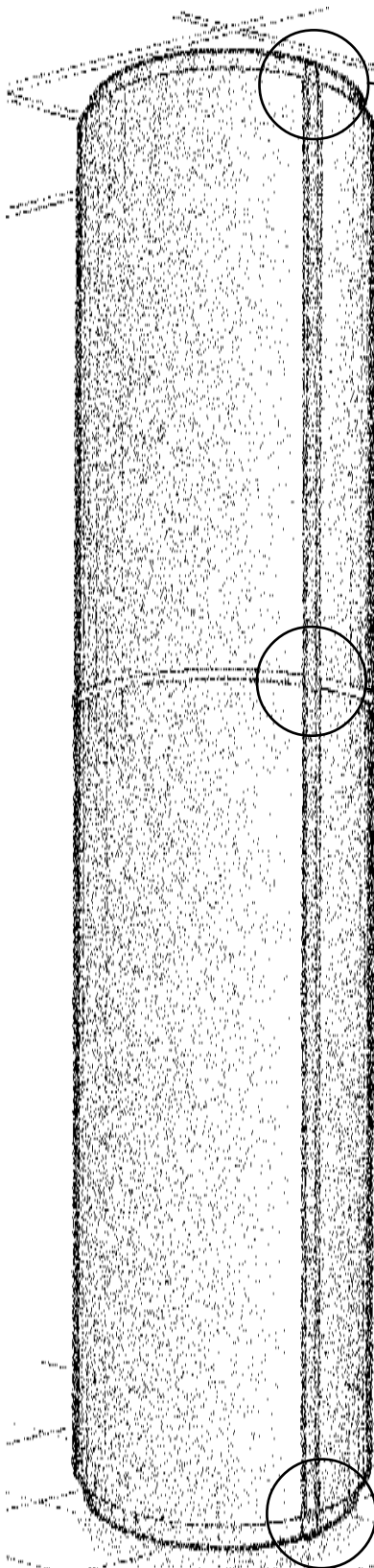
Special Mounting Plates Attach to Floor on Either side of Expansion Joint

Overlapping Plates Allow Column Cover Reveal to Expand and Contract with Floor

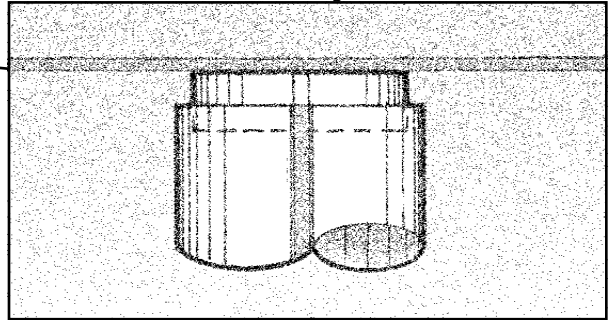
Joint Plate is Attached via Locking Insert

Joint Plates can be the Same Material as Column Cover or Supplied in a Complimentary Color or Finish

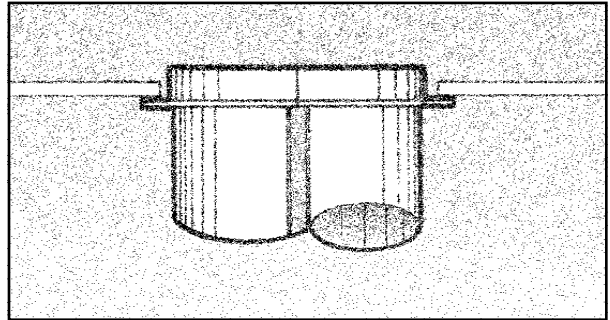
# Series 8500-Options



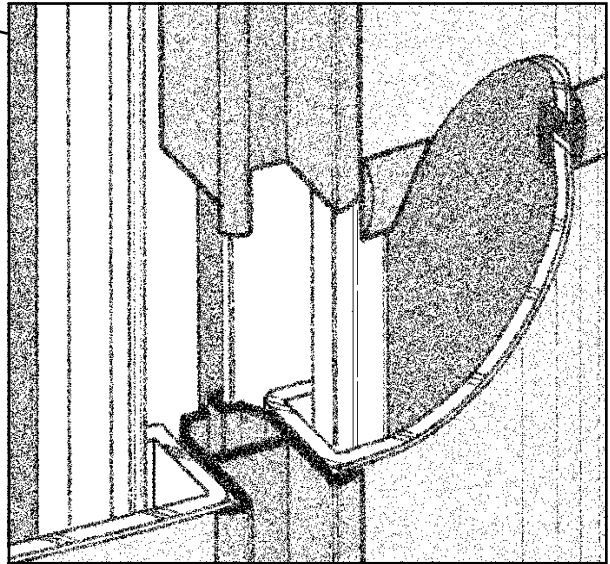
Optional Telescoping Top Reveal Allows for Height Adjustment at Ceiling



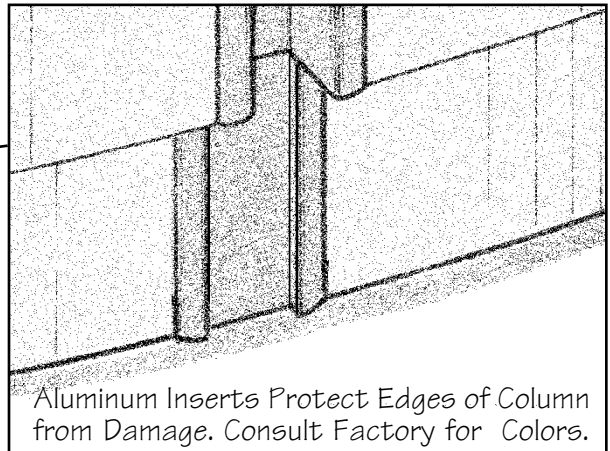
Optional Acoustical or Drywall Ceiling Trims are Available for Trimming Column Cover at Ceiling



Although Column Covers are Available up to 16' in Height, the Introduction of Stacking Joints Allows for Almost any Height Desired.



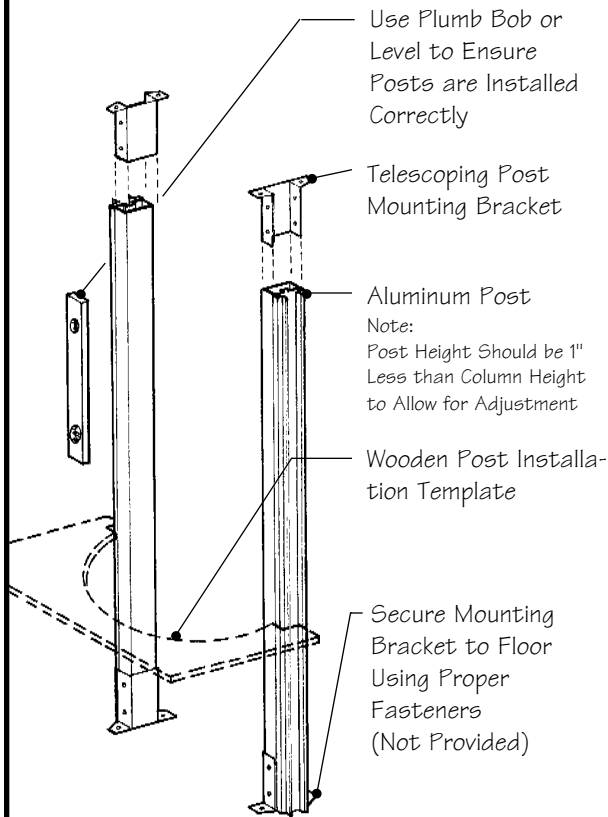
The Joint Between Each Stacked Section is Controlled by a Factory Installed Alignment Insert



The SERIES 8500 Column Cover Comes with a Reveal Joint for Those Applications Where a Vertical Reveal is Desired. It is also Available with a Tight Joint Protected by an Aluminum Insert. **Column Covers are Available up to 16' in Height in Single Lengths. Stacking Joints Allow for Almost Unlimited Height.**

Aluminum Inserts Protect Edges of Column from Damage. Consult Factory for Colors.

# Series 8500-Installation



Installation Details

No Scale

The SERIES 8500 column cover system consists of the following parts:

- 1) Two custom rolled column cover half sections
- 2) Four post mounting brackets with mounting screws
- 3) Two extruded aluminum posts (with reveal inserts if SIDE-LOCK™)
- 4) Mid-level post reinforcement brackets
- 5) Self tapping flat head screws for bracket attachment
- 6) Post installation template for aligning posts
- 7) One set of drawings / instructions / suction cup per order

The following customer supplied items are also recommended :

- 1) Plumb bob & carpenters level
- 2) Ramset or lag type masonry fasteners for mounting brackets

## Typical Installation Procedure

- 1) Determine the position of the column cover around structural member. Install one stud in place, using a level to ensure plumb-ness. Position the opposite stud in place using the supplied post installation template. Make sure that studs are securely fastened to the ceiling and floor utilizing proper fasteners. Install any base reveals at this time fastening to both post and floor.
- 2) Seat one side of first column half into the opening of the metal post. Using the suction cup, spring column half gently around outside of opposite post and seat in opening. Repeat this procedure for the other column half, taking care not to unduly stretch halves.
- 3) If column cover is a SNAP-FORM® model, use a heavily padded 2x4 and rubber mallet to engage the two sides. Starting at the bottom of the column cover and working your way up, firmly strike the padded block with the rubber hammer on both column halves along joint. This will positively engage the interlock assembly. If your column is a SIDE-LOCK™ model, insert the vertical locking reveal between the two column halves and engage it in the post.

## SAMPLESPECIFICATION

### Section 05-58-13 Architectural Metal Column Covers

#### Part 1 - General

##### 1.01 Description of work

A. Furnish all material necessary for a complete installation of the SERIES 8500 column covers. Column covers to be self-aligning, positive interlock, without exposed fasteners or supports.

##### 1.02 Submittals

A. Submit complete shop drawings detailing quantities, sizes, finish, configurations, and column attachment methods.  
B. Submit product literature, specifications, information, and installation instructions.

##### 1.03 Quality Assurance

A. Manufacturer to have a minimum of ten years experience in the manufacturing of column covers.  
B. Manufacturer to inspect all aspects of the product to ensure that specifications have been met, and that they comply with approved shop drawings.  
C. Manufacturer shall issue a one year limited warranty ensuring product against defects in workmanship and materials.

#### Part 2 - Products

##### 2.01 Acceptable Manufacturers

<b>Pitcon Industries</b> 6409 Rhode Island Ave. Riverdale, MD 20737	<b>Pitcon Industries</b> 3330 W. Flower Street Phoenix, Arizona 85017
---	---

##### 2.02 Materials

A. Column covers shall be roll-formed from .090" aluminum and clad with specified plastic laminate or veneer.  
B. All fasteners are to be concealed.  
C. All support structures to be supplied by column cover manufacturer.  
D. All column covers are to be shipped with protective material on all exposed surfaces.

##### 2.03 Fabrication

A. Column covers shall be roll-formed to specific dimensions and tolerances, and accurately formed to radii shown on drawings.

B. Column covers shall be fabricated in two vertically divided sections attached with a demountable interlock joint.

C. Column covers shall be fabricated in single length heights of 16' where required, with the addition of stacking joints to allow for heights above 16'.

#### Part 3 - Execution

##### 3.01 Inspection & Installation

A. Contractor to inspect column covers upon receipt to ensure that no damage has occurred during shipment.  
B. Column cover to be correctly oriented and installed in accordance with manufacturer's shop drawings and installation instructions to ensure proper installation.  
C. Column cover to be erected plumb and level.

##### 3.02 Cleaning & Protection

A. Contractor to remove protective material supplied by column cover manufacturer.  
B. Contractor to clean all visible surfaces after installation.  
C. Contractor to protect column covers from damage by other trades

## Pitcon Industries Division Pitcon Architectural Metals, LLC

6409 Rhode Island Avenue  
Riverdale, Maryland 20737  
(800) 637-7638 , (301) 927-1000  
Fax: (301) 699-8690

3330 W. Flower Street  
Phoenix, Arizona 85017  
(800) 637-7638 , (602) 233-9100  
Fax: (602) 233-9400

Fabricated with Pride in



Riverdale, Maryland-U.S.A.